

# ATAG

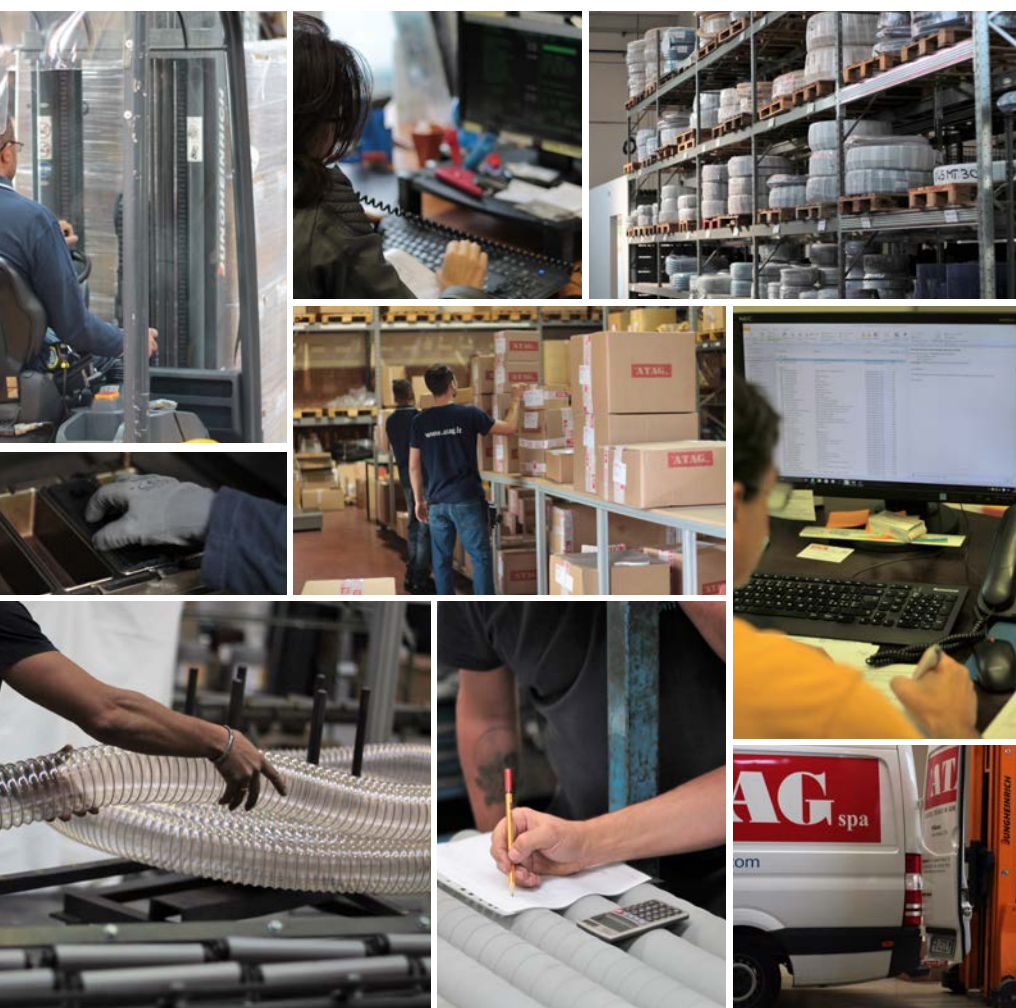
SERVING INDUSTRY SINCE 1947



## FITTINGS

# PAST, PRESENT, FUTURE

---



**ATAG** is serving industry since **1947** and is constantly growing.

The wide range of products, the three domestic locations, the controlled companies, the large warehouses, the extensive sales network, the increasingly stringent internal workings, the website in constant evolution and a service based on the qualified technical expertise offered by our sales department, are the reasons why our customers rely constantly on ATAG.

In recent years we have incorporated complementary companies, using their great competencies to improve our own skills. An efficient export department, our European resellers and long-standing customers, allow us to have a better knowledge of foreign markets and strengthen our presence beyond the Italian borders.

Collaborations and agreements with international prestige partners enable us to offer our country products and solutions that are already appreciated and well established in Europe, and to stimulate our research into improved solutions for the Italian industry.

# FITTINGS

**ATAG** distributes high-quality components in stainless steel and other materials for the food and beverage industry and supplies couplings & connection systems that comply with all the necessary standards and norms.

**threaded BSP, NPT, CASSONI**



4

**CAMLOCK**



5

**AFNOR-GUILLEMIN**



6

**STORZ**



7

**STEAM couplings**



8

**DIN 11851**



9

**SMS**



10

**TRI-CLAMP**



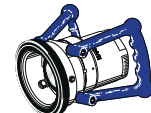
11

**GAROLLA**



12

**MANN TEK**



13

**Quick Coupling CUNA**



14

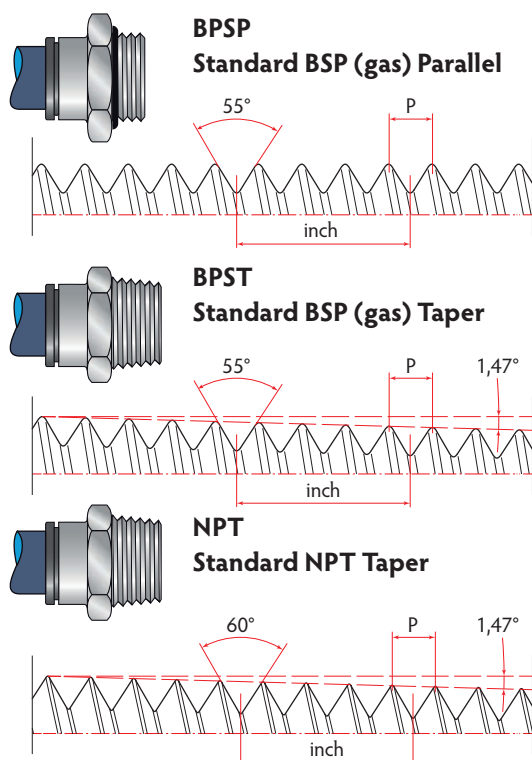
**DIN 28450**



14

## threaded fittings BSP, NPT, CASSONI

Threaded couplings are perhaps the most common and widely used in many situations as low cost connection solutions.



They are distinguished by the type of thread, BSP or NPT, whose different norms are such that the helical pitch of the thread does not allow the possibility of cross-threading with each other.

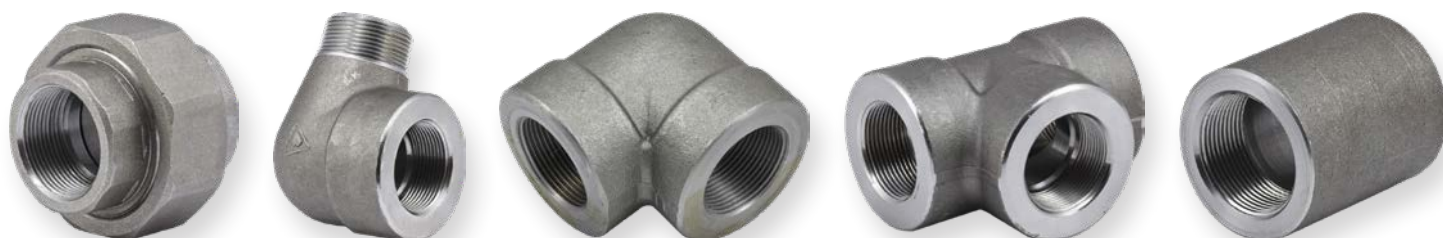
Only for the Italian market, the CASSONI version is available whose characteristic is to have a pitch with 5 threads per inch; an "extended" pitch to give greater rapidity in screwing parts together.

They are available in PVC, PP, PE, Nylon, Bronze, Aluminium, Steel, various metallic alloys, cast iron, stainless steel, etc., in a complete range of fittings such as sockets, sleeves, nipples, caps, elbows, nuts, reducers and tees.

They are generally made of two parts, one with a Male external thread, and the other with a female nut with a matching internal thread which is screwed onto the male when fixing together the two fittings.

There are so-called taper models for applications that do not allow the use of sophisticated seals between the male and female sections, the shape of the inside of the seal between the two is that the union is perfect throughout.

That said most of the time, however, these fittings have a flat bar between the male and the female, and in this case it is necessary to insert a rubber gasket of suitable quality to chemically resist the transported medium.



## fittings CAMLOCK

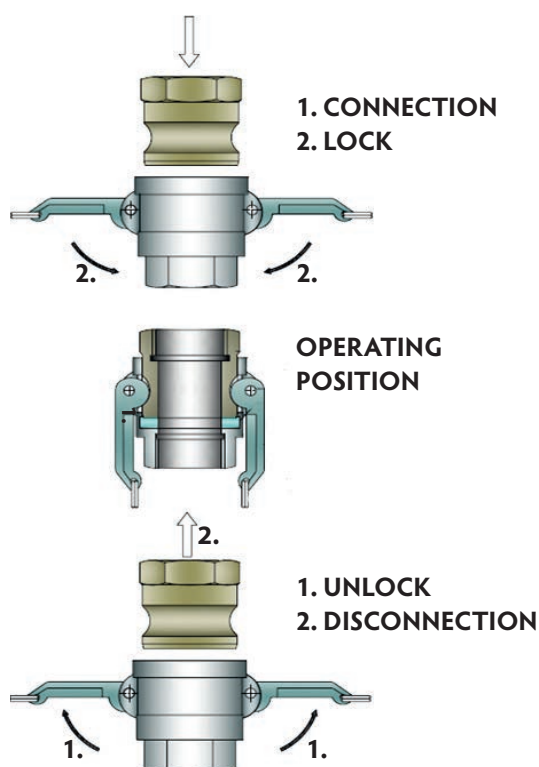
Widely used by many industries, the CAM-LOCK quick coupling system has many advantages. It is made of 2 mating parts, male and female, and requires no tools for locking and unlocking.



CAM-LOCK couplings were developed in order to obtain a quick and secure connection between two pipes. Simply insert the male connector into the female and then lower the two eccentric levers to lock the fitting.

The specifications of this system meet the USA military standard MIL-C-27487 States covering the procedures of the manufacturing process, materials, dimensions, tolerances and pressures of use. Compliance with MIL-C-27487 ensures interchangeability with any other coupling produced in the world according to those rules.

These fittings can be supplied with ends: threaded, flanged, welded or with a hose shank. Threads and flange types of models conform to the various Italian and international regulations. They are produced in: Aluminum, Bronze, Brass, Steel, PP, Stainless Steel.



type A



type B



type C



type D



type E



type F



type DP

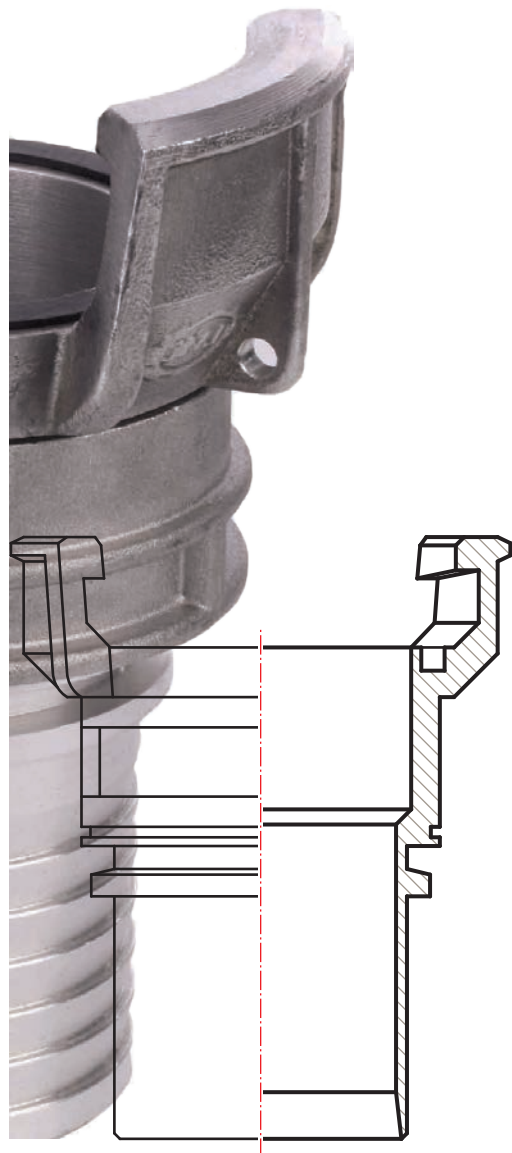


type DC

fittings

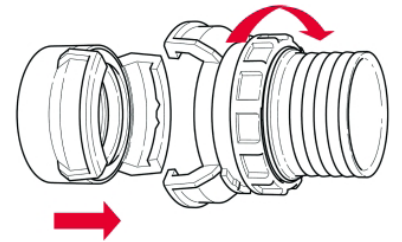
## AFNOR-GUILLEMIN

AFNOR (Association Française de Normalisation) is the French association for standardization with the task of governing the national regulatory system and upholding the interests of France in the field of international standardization, promotes the application of the law and develops certification products and services.



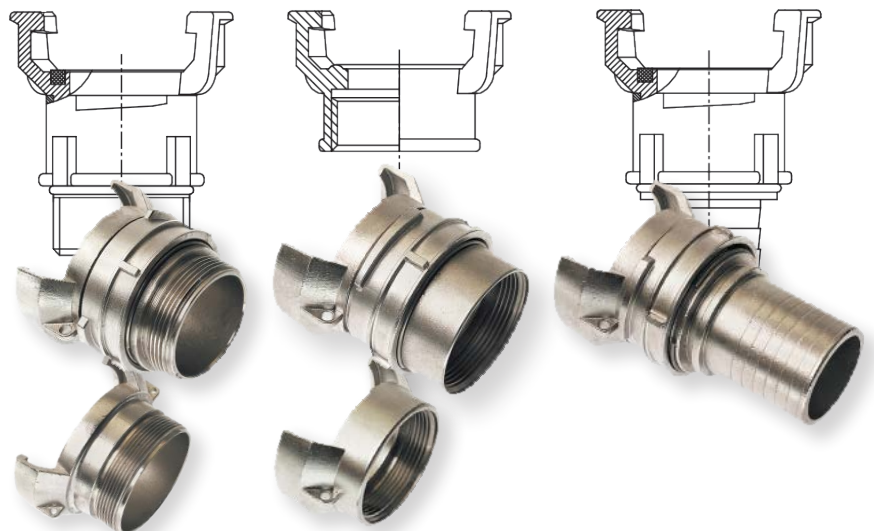
This activity covers the Guillemin standard for symmetrical coupling (standard NF E 29572) also called coupling Fire AFNOR, that is widely used for the extraction and transfer of products in chemical industry, agricultural and irrigation applications for pressures up to 16 atm.

Being symmetrical couplings, the two elements that engage with each other are placed opposite one another creating a perfect seal, and with a twisting motion in opposite directions, thereby making half a revolution of the rotating bezel of each driving the two together.



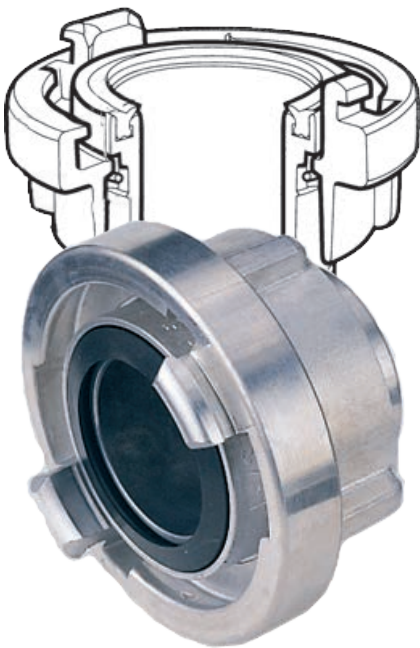
The coupling is done by hand, but requires a special tool to tighten the connection.

The symmetrical coupling Guillemin (AFNOR) is available in brass, aluminum and stainless steel.

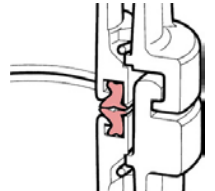


## fittings STORZ

Storz is a type of coupling invented by Carl August Guido Storz in 1882. It was also referred to as a "sexless coupling", i.e. connection without gender, because rather than having one end male threaded and one female threaded, they have identical ends that can be joined together.



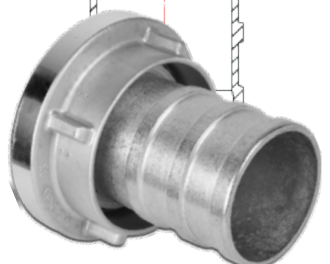
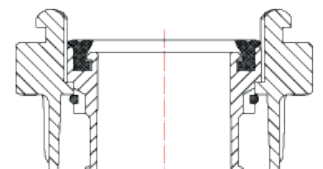
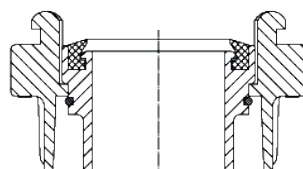
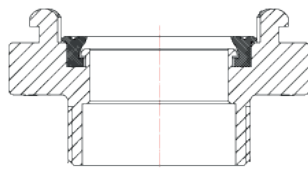
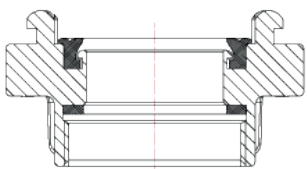
A Storz coupling is made by joining two connections so that the hooks of each should fit into the slots of the flange of the other. Then they are rotated in opposite directions until they lock together. This creates a watertight connection between the internal seals.



A special wrench is then used to tighten the joint of the two parts in contact.

The main advantage of using Storz couplings is fast connection: generally, a pair can be connected with a 1/4 turn whereas with threaded fittings you need to make several revolutions of tightening to build a strong connection.

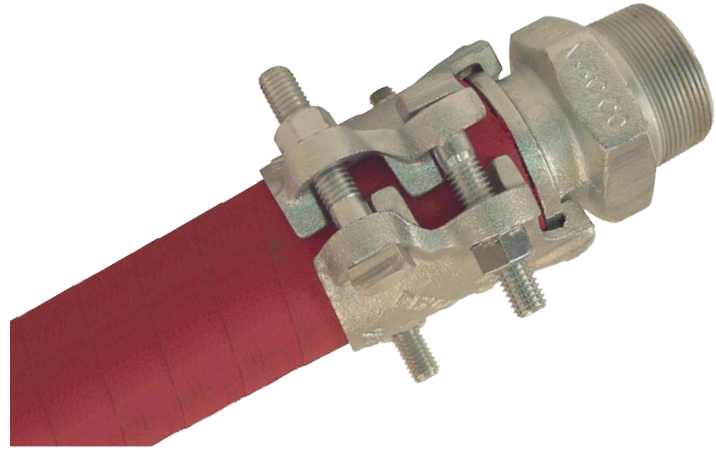
This link has quickly conquered the European market for fire hose systems, and is now the standard in the U.S. market for most applications with large diameter pipes.



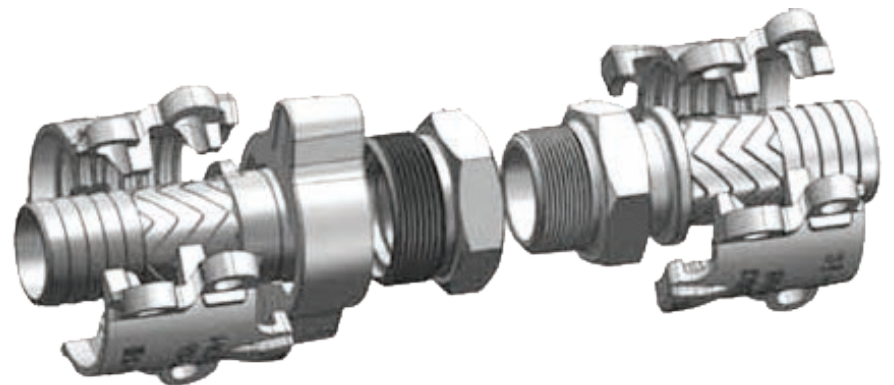
fittings

## STEAM coupling

Steam couplings are all-purpose hose couplings, universally recommended for steam hose connections. They are also widely used for air, water, fluid petroleum, chemicals and liquid petroleum gas.



Can be applied to many types of rubber, synthetic, plastic, semi-flexible metal hose.



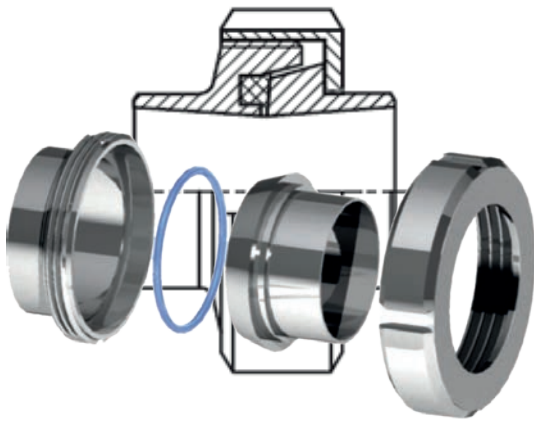
It consists of a special collared hose stems (Ground Joint), iron clamps (Interlocking Clamp) and spud. When properly installed, the gripping fingers on these clamps engage over the collar of the stem to prevent coupling blow-out.



fittings

## DIN 11851

DIN is an acronym that stands for the German Institute for Standardization, DIN 11851 is the German standard for high-profile fittings for use in the wine, dairy, chemical and pharmaceutical industries, for confectionery and food in general.



It comprises of a round slotted nut and a flush fitting lipped seal. The male fitting features an inverted cone face that carries the seal, while the liner is similarly conical in section.

It has the distinction of having the swivel on the male as opposed to the screw systems that provide the swivel usually combined with the female

It is widely used in the UK, across Europe and the Middle East and is also fairly widespread in the United States.

There are butt welded commercial versions, with adapters for mounting on flexible hoses, elbows, tees and different reductions.



## fittings SMS

The SMS (Swedish metric standard) system is designed for applications that do not require regular disassembly of hoses.

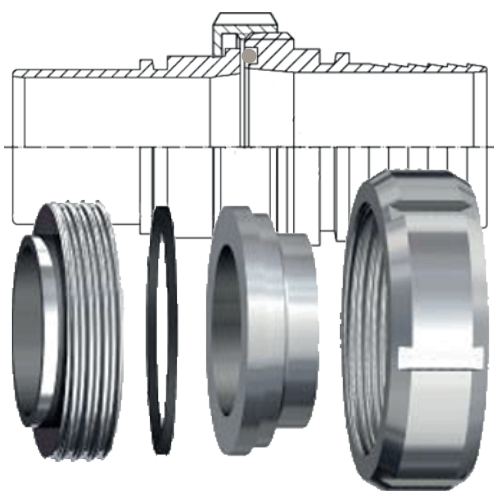


It consists of an internally threaded ring that has a captive seal designed to provide a smooth, crevice free internal bore.

The tightness of this fitting system is guaranteed by the captive seal inserted into the groove on the female which is pressed by the male mating part.

It is a specific type of fitting used especially in the food industry (particularly for the processing of milk), but also used with success in the chemical industry.

Quick Coupling: manual tightening is sufficient to maintain a liquid-tight seal. Nevertheless it is advisable to tighten with a wrench to ensure a more solid.



fittings

## TRICLAMP

Quick coupling system, safe and versatile for food processing and for distribution lines in pharmaceutical plants.



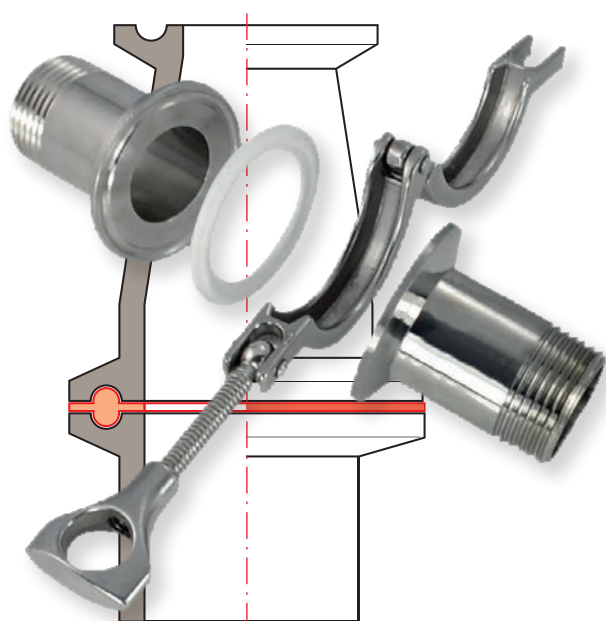
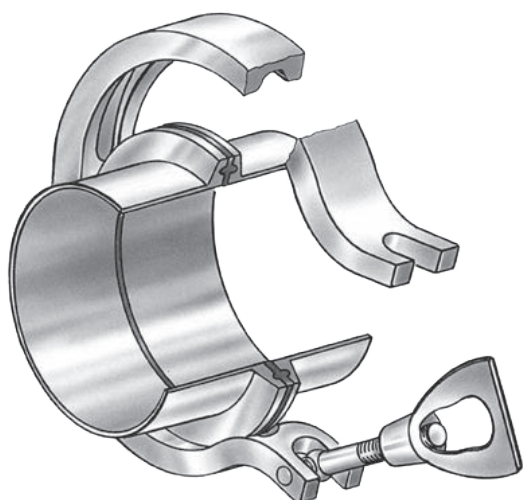
Clamp fittings are widely used in CIP (Cleaning-In-Place) processes for their ease of assembly and disassembly.

There is no need for any tools to do this, you need only hands.

All the couplings with this type of connection are exclusively produced in stainless steel: usually (but not the norm) in 316 or more for the part in contact with the transported fluids and in 304 for the outer tightening parts.

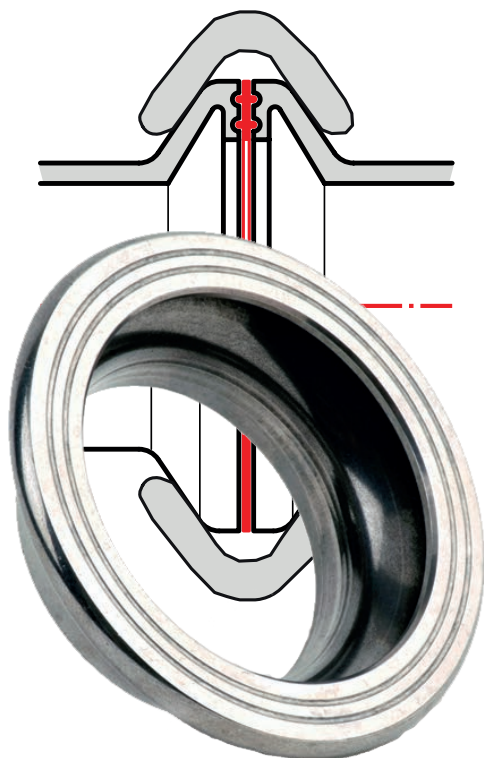
It is used especially where it is essential to comply with health standards: the joint of the two parts is safe, uniform and smooth.

For materials, dimensions and tolerances this system is developed in accordance with the regulations BS4825, DIN32676, ISO2852 and ISO1127.



## fittings GAROLLA

The connection more widespread in the wine producing sector is the one obtained through stainless steel fittings and clamps called Garolla.



Very similar in concept to other types of clamp fittings, it is composed of two identical unions, each of which may have a corrugated end (to be inserted in the terminal part of the pipe and tightened by a clamp through this metal) and the opposite end flared and curved edges.

The two pieces of the fitting, juxtaposed to one another, are joined permanently together by a metal clamp, after insertion of the appropriate rubber seal for food use between the two ends to be connected. The clamp that provides this join is composed of two semicircles joined by a ring, and is closed by a threaded shank and wing nut for manual screwing.

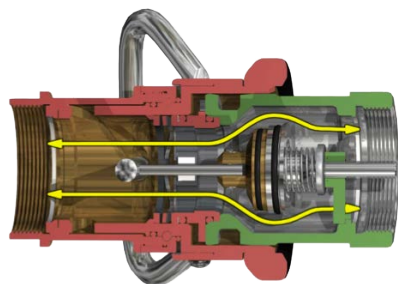
The advantages of these fittings are the durability and ease of assembly and disassembly operations that can be done by one person without the use of aids or tools of any kind. In contrast, they present difficulties for sanitization, which excludes their use in the bottling process, while they are widely used in all the other stages of the winemaking process. Enable the connection of the pipes between them and with the wine tanks, pumps, wine-making machines, etc.

To meet the different needs related to different processes of wineries, this family of connectors also includes a number of accessories such as bends, elbows, tees, Y unions, reducers and couplings between converters of various types.



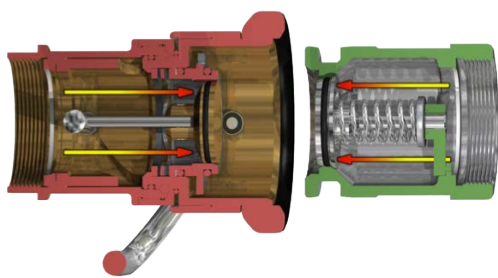
## fittings MANN TEK

MANN TEK quick couplings are also referred to as "dry" because the system of connection and disconnection is such that you do not lose a single drop of the product conveyed. They are specially designed for quick coupling and without leakage.



### TO CONNECT

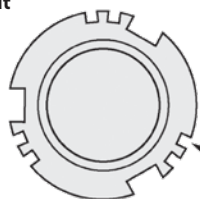
*Push and turn - it's coupled*



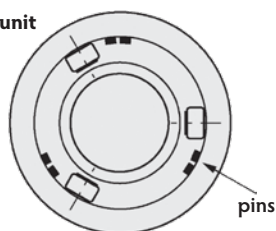
### TO DISCONNECT

*Turn and pull - it's released*

### TANK Unit



### HOSE unit



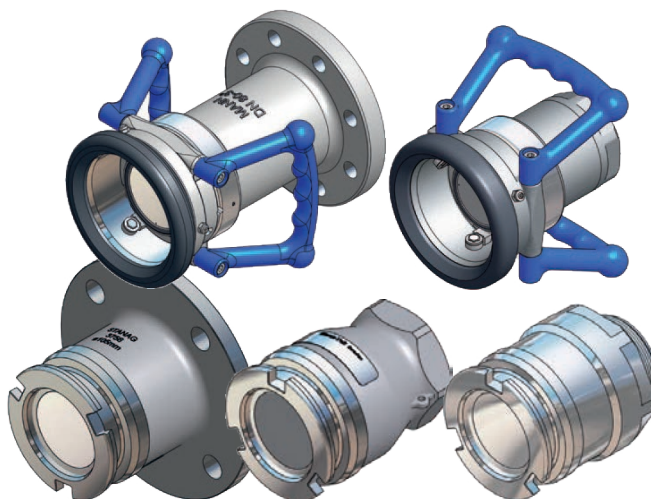
### Selectivity - Avoid mixing products

To avoid product contamination caused by connecting a Hose unit to the wrong Tank unit, selective versions of coupling are available. Each unit has a number of selective positions designated by a coded part number.

The secret is in the engineering system which provides a valve that opens when the lever is fully engaged and the parties are permanently coupled. And, in the models with this feature when, for whatever reason, the lever disengages, it acts as a safety valve, venting the pressure in the joint and halting the flow.

This is one of the reasons why they have spread so much in marine applications for transshipments of powders, inks, oil, and all kinds of liquids from ship to shore and vice versa, and from ship to ship, where the oscillation of the media due to the current or backflow of water gives rise to this risk. But in the same way they are used a lot on conveying arms for the loading / unloading of rail cars and trucks where they prevent irreparable damage from the accidental release of the connection that can be caused by human error.

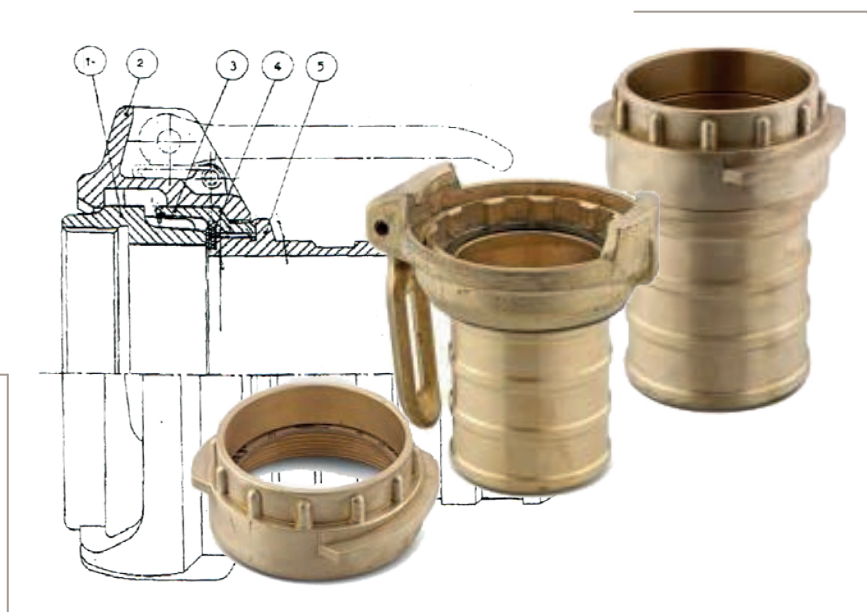
They are used in the handling of toxic waste, in pouring cryogenics, in the fueling of competition vehicles, in the supply of fuel for aviation, in the handling of fine non-abrasive powders, and in the transport of methane gas.



fittings

## Quick Coupling CUNA

Full range of fittings for rubber hoses, usually used for road transport in Italy are also called "autobotti" or "autocisterna" fittings.



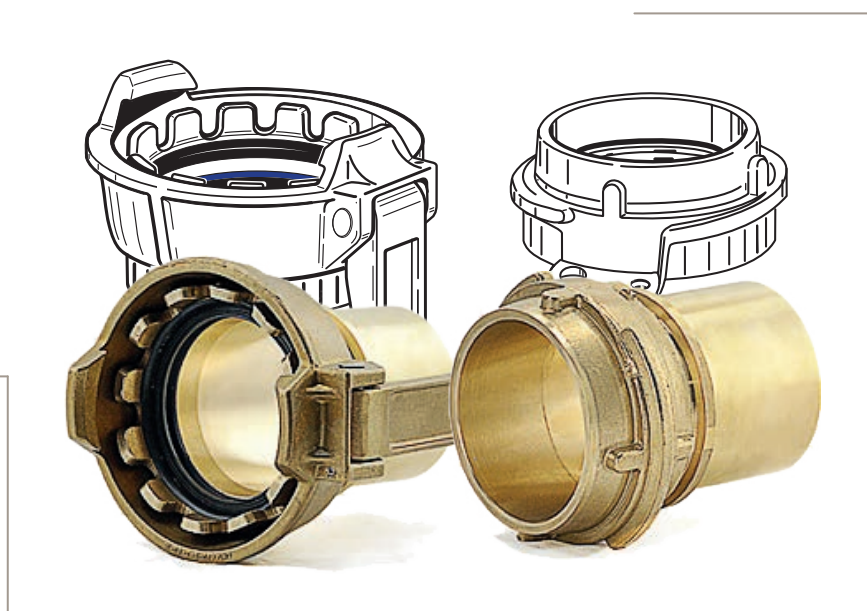
The coupling between the male part and female, of the same size, is done by the rotation of a ring nut with special lever that locks the two parts and prevents losses due to possible vibrations.

Are available male and female hose coupling as well as female and male BSP threaded hose shanks and safety clamps.

fittings

## DIN 28450 coupling

Asymmetric couplings designed to connect rubber tubes that refer to DIN 28450 (EN 14420-6), also known as "TW" Tankwagen Coupling.



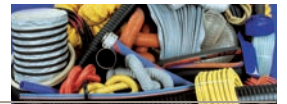
They are similar to CUNA fittings for functioning and intended use, but are NOT interchangeable.

They can be employed in a working pressure range up to 16 bar thanks to the dual seal: sealing thread and e sealing media passage.

Very versatile mounting due to the full range of product.

Connecting to the **download** section on our website and discover the whole **ATAG Universe**.

## FLEXIBLE HOSES



## EXPANSION JOINTS



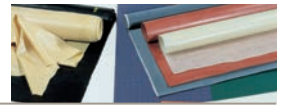
## INDUSTRIAL PLASTICS



## EXTRUDED PROFILES, BUMPERS AND FOAM



## RUBBER SHEETING



## PIERCAN® SPECIAL GLOVES



## RUBBER COATED ROLLERS



## ANTI-VIBRATION



## ELECTRICALLY HEATED HOSES



## BIO-PHARMA-MEDICAL TUBING



## FITTINGS



## SPECIAL FLEXIBLE SOLUTIONS



## HIGH TECH MICRO-BORE TUBING



## INK ROLLER



## EXPANDED RUBBER PRODUCTS



# ATAG

SERVING INDUSTRY SINCE 1947



IT\_20128 MILANO  
ph. +39 02 255.22.51  
mob. +39 329 68.78.260  
ufftec@atag-europe.com

[WWW.ATAG-EUROPE.COM](http://WWW.ATAG-EUROPE.COM)