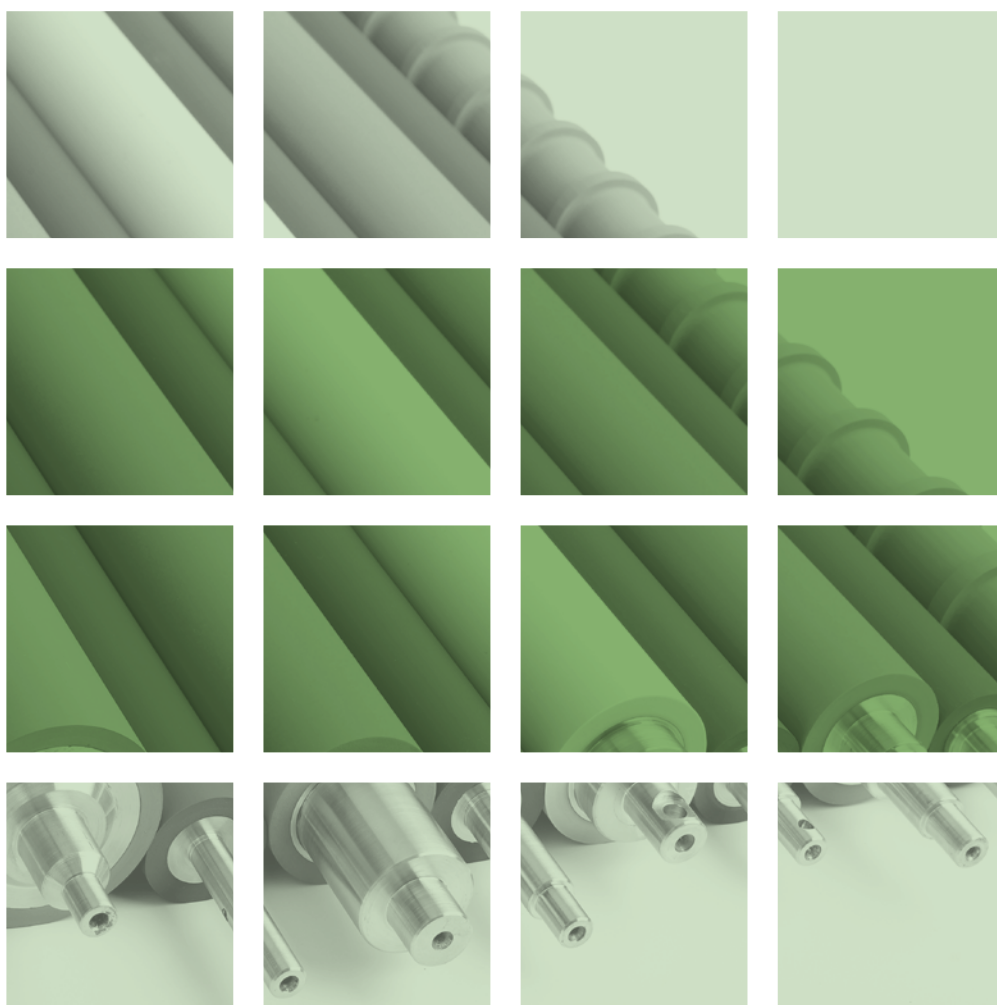


# ATAG

SERVING INDUSTRY SINCE 1947



## RUBBER COATED ROLLERS

# RUBBER COATED ROLLERS

## Roller Coating: machining, grinding and control

**ATAG** covers Europe, serving industry since **1947**

Over 60 years of experience in the rubber industry have given ATAG the knowledge and ability to design and manufacture rollers for graphic design, printing, wood, packaging and textile industries.

We make rollers from scratch, building the metal cores and covering them with specific rubber, different for every need, according to each application.

The technical department, working closely with our mechanical workshop that uses highly automated CNC machines, manufactures customer-specific metal cores suitable for every type of application.

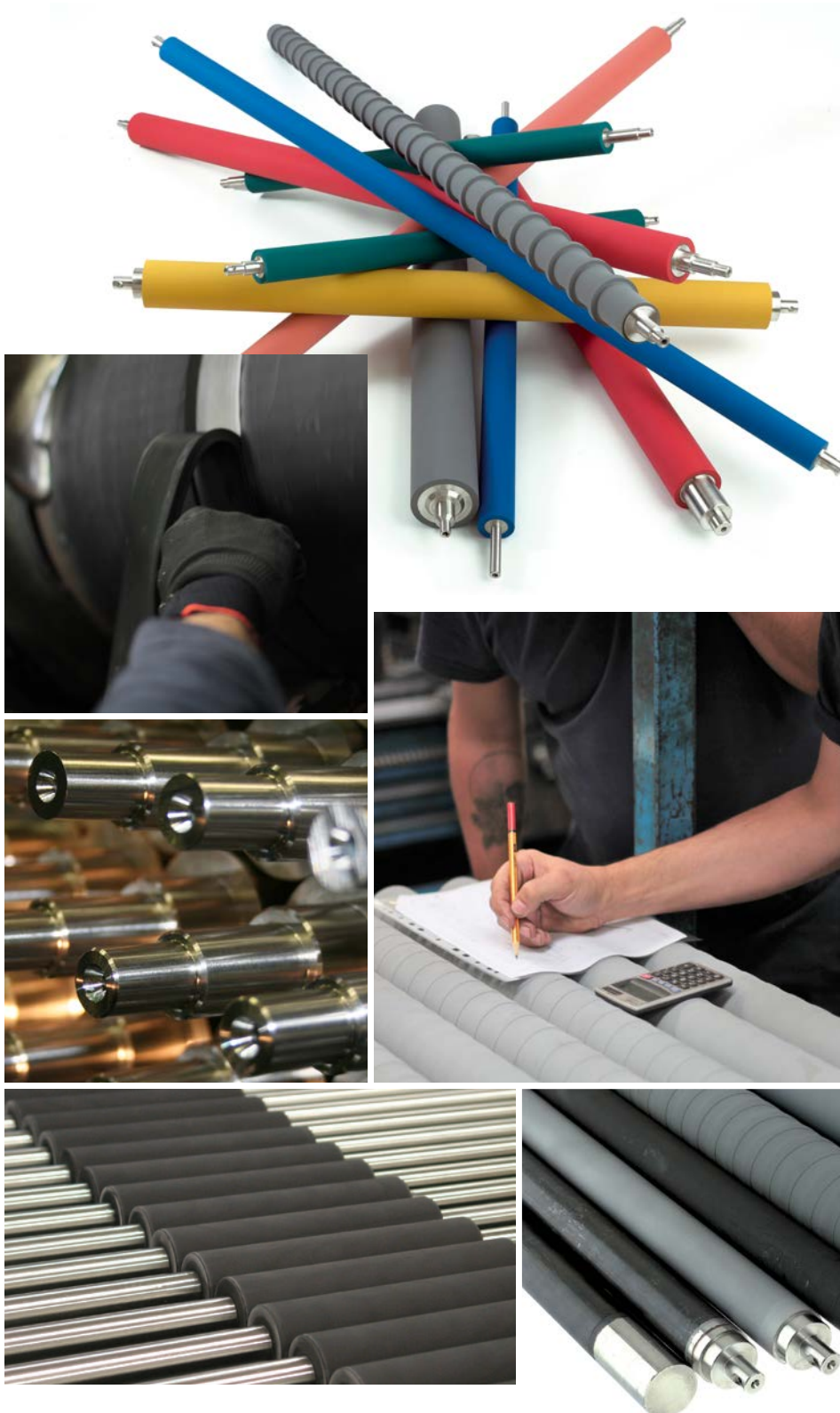
The formulation of blends and the inspections by our laboratory allow us to create compounds designed to meet the required characteristics of elasticity, hardness, dimensional stability, durability and resistance to chemicals, abrasion and heat, in accordance with each application.

All stages of production are carried out internally enabling us to respond fast and with flexibility to our customers' needs.

The wide experience of our staff, together with internally studied and designed machinery, allow us to competitively produce high quality rollers.

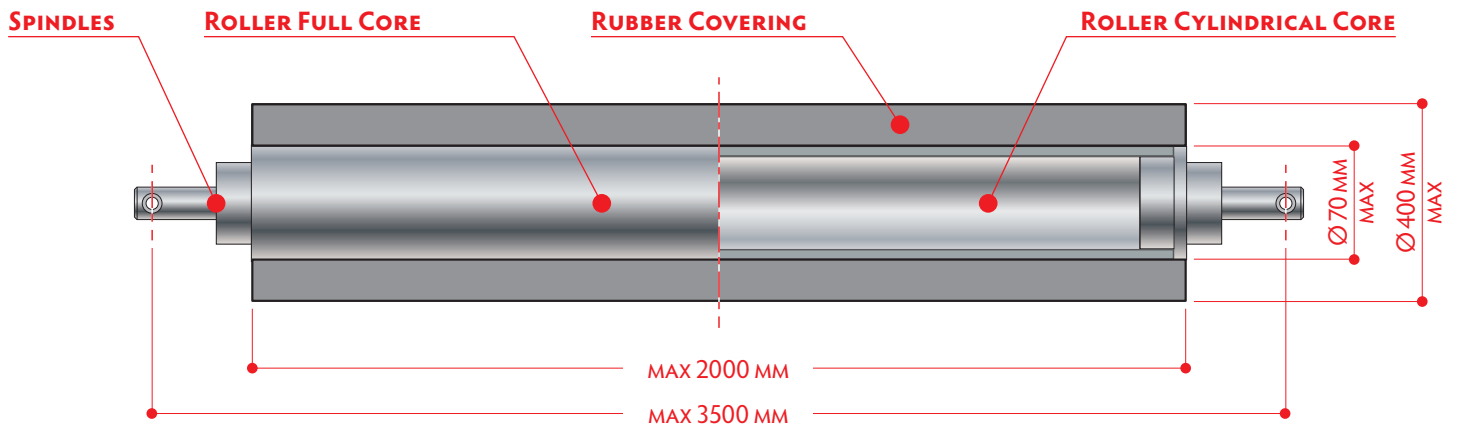
We also re-cover used rollers, removing the worn rubber, cleaning and preparing the surface of the roller core and, through the appropriate processes, we ensure that the new covering meets the requirements of stability and durability.

Our technical assistance, prompt and efficient, is always available.

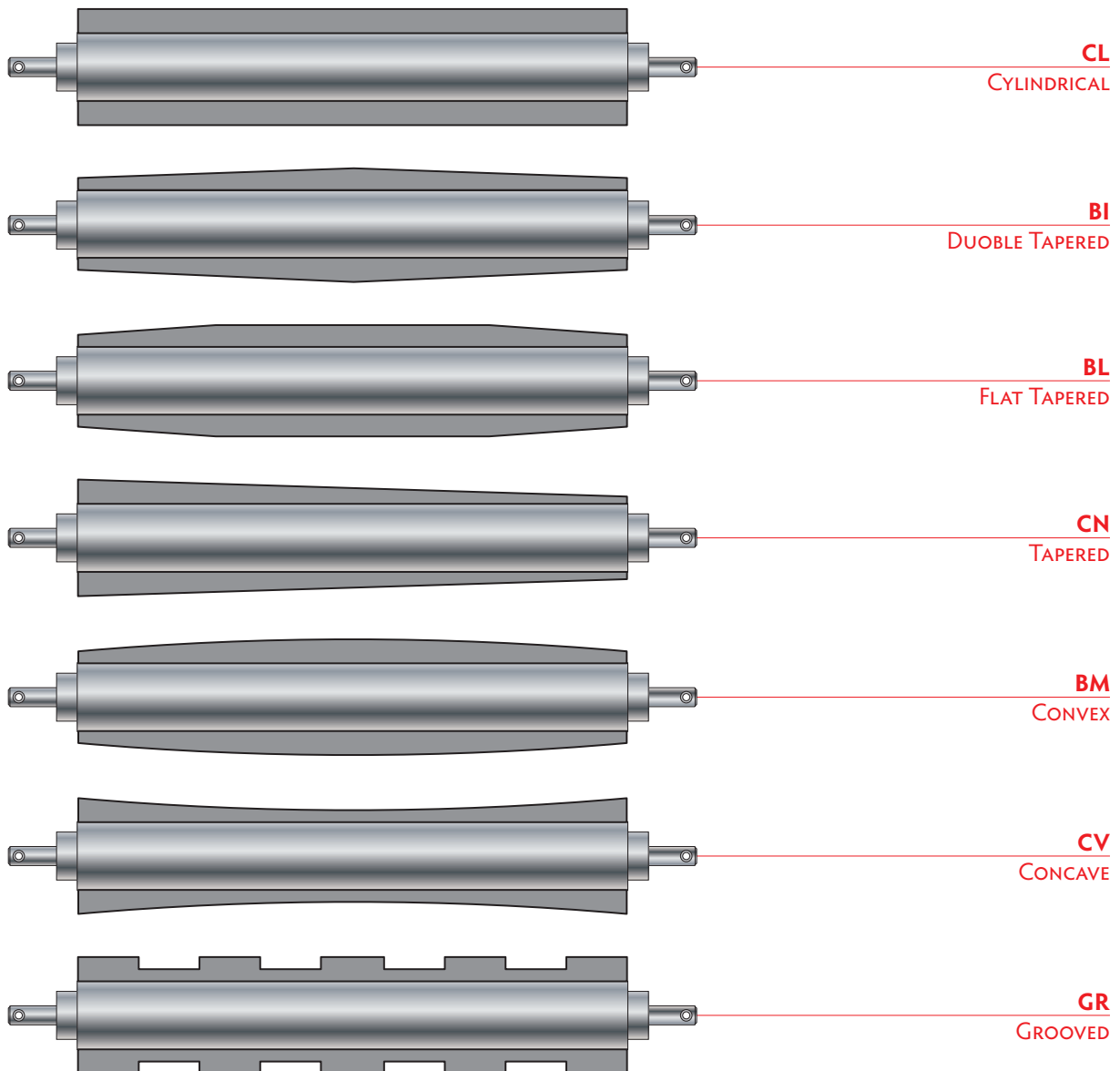


# SPECIAL FLEXIBLE CONNECTIONS

## Roller Components



## Crown Types



# ATAG

SERVING INDUSTRY SINCE 1947



IT\_20128 MILANO  
ph. +39 02 255.22.51  
mob. +39 329 68.78.260  
ufftec@atag-europe.com

[WWW.ATAG-EUROPE.COM](http://WWW.ATAG-EUROPE.COM)